

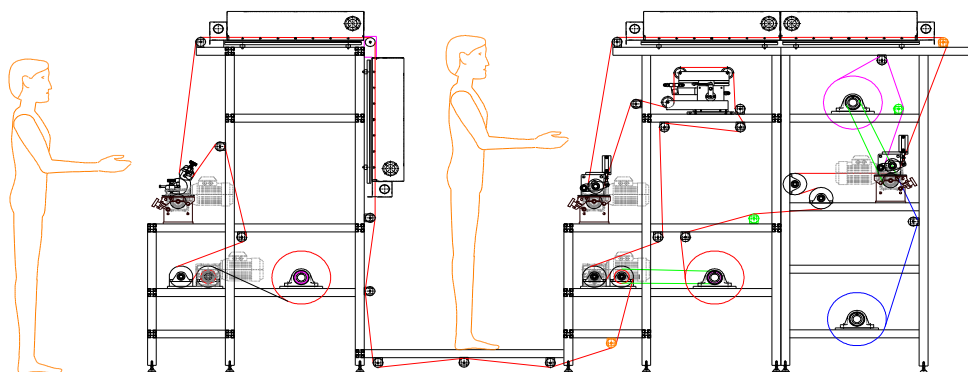


The first name in
sample preparation equipment

VCM 300

VERSATILE CONVERTING MACHINE

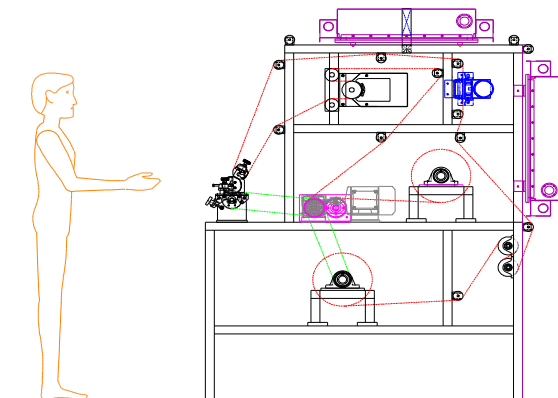
The VCM 300
is being shown
for the first time at
DRUPA 2004



Left and below
is an illustration of a
typical multi drive,
inline 2 colour
converting machine.

VCM Specification

300mm web width
Single station machine fitted with:
Cantilevered Unwind.
Corona treater.
'S'wrap speed control rollers
Flexo printing head.
UV Curing System.
Two Hot Air Clam Shell Drying Ovens.
Water cooled chill rollers.
Cantilevered Rewind.



For many years RK have been designing and building Versatile Converting Machines (VCM) for R & D, Pilot and Production applications used across many different types of industries. Unlike our Rotary Koater where the process must be carried out within standard design constraints the VCM is optimised to the specific requirements of each process and can utilise higher specification drives, tension and web control equipment.

The VCM is built using the same concepts as our Rotary Koater, an open framework, on which various standard assemblies can be fitted. This ideology enables either simple single process or more complex multiple process configurations to be readily attained. The heavier framework also enables wider and heavier substrates to be processed while still allowing considerable flexibility to expand or modify the machine as developments or applications change.

For more information about the
V C M 300
Contact:



RK Print-Coat Instruments Limited
Litlington, Royston, Herts. SG8 0OZ United Kingdom
Telephone: +44 (0)1763 852187 Facimile: +44 (0)1763 852502
E-mail: info@rkprint.co.uk
www.rkprint.com