

TRI-CHILLED ROLL MILL

COMPLETES ISO 9001:2000 SYSTEM CERTIFICATION



HMA-1625



HMA-305



Characteristics:

Tri-Chilled Type Three Roller Mill incorporate all of the newest design features and advanced technologies on production size Three-Roller Mill.

How the Tri-Chilled Roller Mill Works

The material to be milled is placed between the feed and center rolls. Each adjacent roll rotates in different speeds that generate shear forces to disperse the material. The speed ratio of the three roll is 1:3:9 (Feed Roller : Middle Roller : Front Roller)

Roller

Rollers are made of harden high densityFCMW34 chilled iron with a uniform hardness on the roller surface. The surface hardness is over HS70°. The deep chilled rollers can withstand rapid high pressure and temperature changes that makes the rollers can be used continuously in a length time. All rollers are ground parallel and tested for maximum accuracy of hardness and durability.The finished ground products are finely homogenized that fineness can be down to 5µm.

Bearing

All three rollers equip heavy duty Double Row Self-Aligning Spherical Roller Bearing which automatic produce balanced alignment of the rollers, and precise optimal self-regulation gap between rollers.

Cooling

Each roller equips a independent full length water cooling bored chamber to maintain constant temperature and uniform dispersion across the entire surface of the roller for best production quality.

Applications:

Paints and inks, Pigments and Dyestuffs, Cosmetics, Food processing, Pharmaceuticals, and other high viscosity liquid materials, Suitable for fineness grind.



SINCE 1972



QTW01449

HWA MAW MACHINE INDUSTRIAL CO., LTD.

No.31-6, Lane 320, Sec 1, Sha Tien Road, Ta Tu Hsing, Taichung, Taiwan, R.O.C.

TEL:886-4-26936333.(REP)

FAX:886-4-26936222.

Web site:<http://www.hwamaw.com.tw>E-Mail:hwamaw@ms8.hinet.net

TRI-CHILLED ROLL MILL

COMPLETES ISO 9001:2000 SYSTEM CERTIFICATION



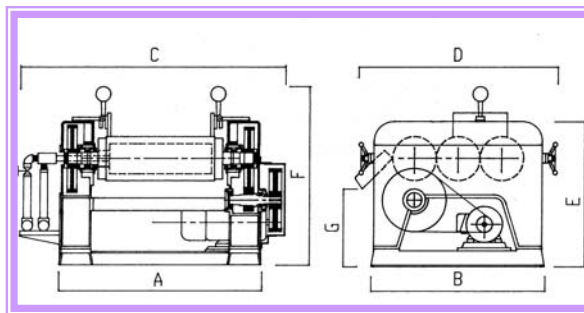
IMA-1210



**Water Cooling System
Configures W/ Swiveling
Header**



**Adjusting Gear Equips
W/ Inclined Safety Plug**



Model	Roller Diameter	Working Length	Feed Roller (RPM)	A (mm)	B (mm)	C (mm)	D (mm)	E (mm)	F (mm)	G (mm)	Weight (KG/LB)
HMA-305	3"	9"	250	600	450	700	600	800	700	340	270/594
HMA-602	6"	17"	200	900	710	1100	660	1000	1100	600	700/1760
HMA-905	9"	23"	180	1300	1000	1500	1200	1150	1450	600	1700/3760
HMA-1210	12"	28"	180	1500	1300	1700	1600	1300	1550	700	3000/6600
HMA-1625	16"	40"	160	2000	1700	2250	1850	1400	1750	700	5000/11000



HWA MAW MACHINE INDUSTRIAL CO., LTD.

No.31-6, Lane 320, Sec 1, Sha Tien Road, Ta Tu Hsing, Taichung, Taiwan, R.O.C.

TEL:886-4-26936333.(REP)

FAX:886-4-26936222.

Web site:<http://www.hwamaw.com.tw>

E-Mail:hwamaw@ms8.hinet.net